

APPLICATION:

PRODUCT NAME:

8" ADJ. WALL MOUNT 3/4" FAUCET

JOB NAME:

_____ SPECIAL CONFIGURATION
(CHECK BASE MODEL AND OPTIONS)

QUANTITY:

ITEM NO.:

MODEL:

- 5212 W/10" SWING SPOUT
- 5214 W/14" SWING SPOUT

OPTIONS OR MODIFICATIONS:

- VANDAL RESISTANT KIT
- HANDLES (CROSS OR WRIST) CIRCLE STYLE
- OTHER _____

FEATURES:

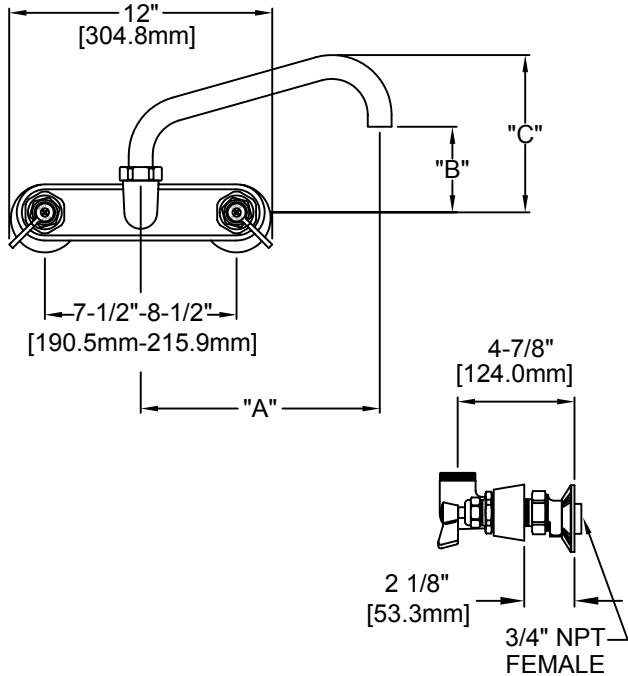
- * ECCENTRICS ADJUST FROM 7-1/2" TO 8-1/2"
- * SWIVELING SEAT DISKS
- * HOT SIDE STEM - RIGHT HAND
- * COLD SIDE STEM - LEFT HAND
- * STAINLESS STEEL SEATS
- * STAINLESS STEEL SEAT SCREWS
- * STAINLESS STEEL HANDLE SCREWS

SYSTEM LIMITS

- * TEMP: 40°F MIN. TO 140°F MAX.
- * PRESSURE 200 PSI MAX. STATIC
- * 37 GPM AT 80 PSI

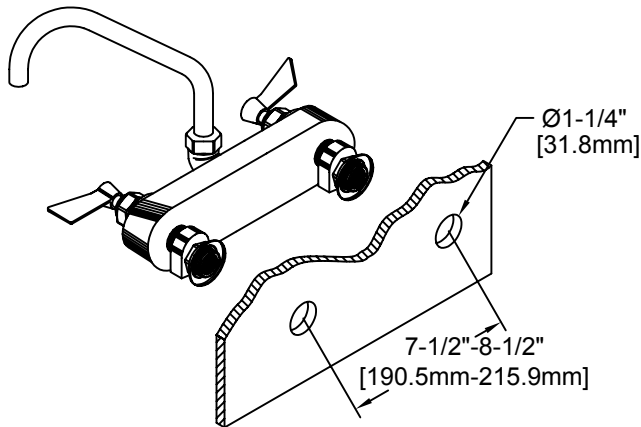
SHIPPING WEIGHT

- * 9.5 LBS



MODEL	DIM "A"	DIM "B"	DIM "C"
5212	10" [254.0mm]	3-1/2" [88.9mm]	6-5/8" [168.3mm]
5214	14" [355.6mm]	4-5/8" [117.5mm]	7-3/4" [196.9mm]

ROUGH-IN:



ANSI/A112.18.1M, ANSI/NSF 61.9

FISHER

FISHER MANUFACTURING COMPANY
TOLL FREE: 800-421-6162 - FAX: 800-832-8238
information@fisher-mfg.com - www.fisher-mfg.com